

CAST CARBON STEEL BALL VALVES-CLASS 150

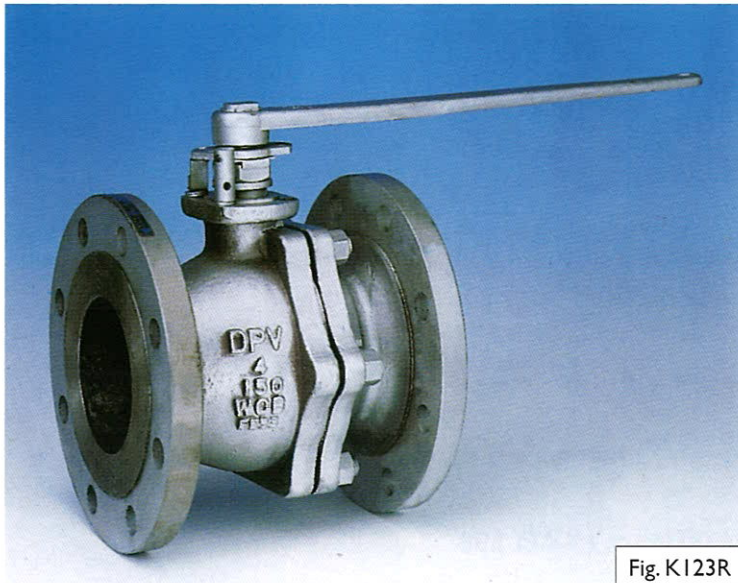
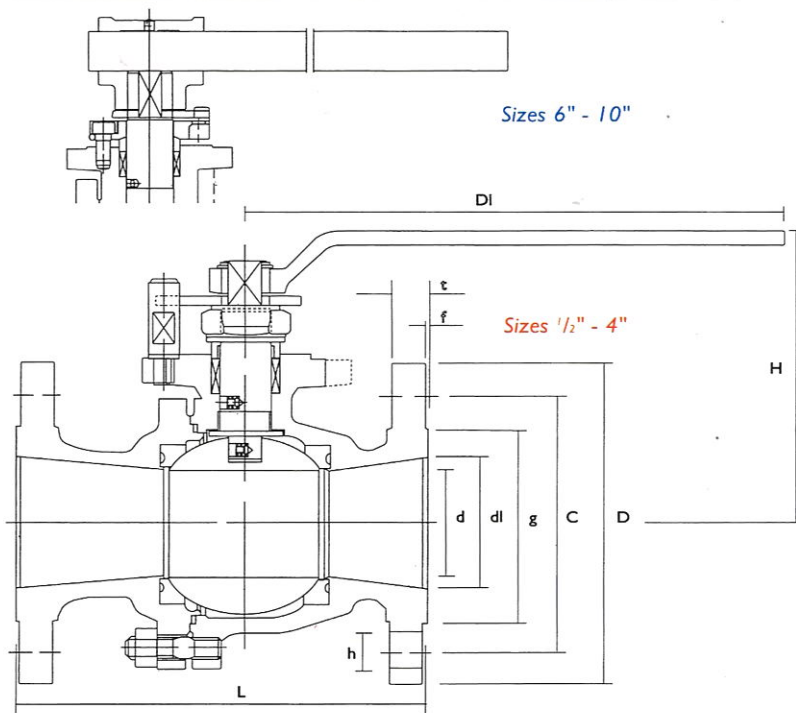


Fig. K123R



- ◆ Two Piece Body Reduced Bore
- ◆ Design to BS 5351. Firesafe.
- ◆ Pressure tested to BS 6755 Pt. 1/API 598
- ◆ Fire tested to BS 6755 Pt. 2/API 6FA
- ◆ RFF to ANSI B16.5
- ◆ End/End to ANSI B16.10
- ◆ Lever operated with Actuator Mounting Pad to ISO 5211
- ◆ Anti-static. Lockable

PART NAME	MATERIAL
Body	A216 Gr.WCB
Body End	A216 Gr.WCB
Body Nut	A194 Gr. 2HM
Body Stud	A193 Gr. B7M
Body Gasket	Flexible Graphite
Ball	316 Stainless Steel
Seat Rings	Reinforced PTFE
Stem	316 Stainless Steel
Anti-Static Device	Stainless Steel
Thrust Washer	Reinforced PTFE
Stem Bearing	Reinforced PTFE
Stem Seal/Packing	Flexible Graphite
Gland	Stainless Steel 1/2"-4"
Spring Washer	Carbon Steel
Stopper Pin	Carbon Steel
Belleville Spring	Carbon Steel
Gland Nut	Carbon Steel
Locking Tab	Carbon Steel
Stopper Plate	Carbon Steel
Snap Ring	Carbon Steel
Handle	Carbon Steel
Gland Bushing	PTFE 6"-10"
Gland	Stainless Steel
Gland Bolt	Alloy Steel
Stopper Plate	Carbon Steel
Snap Ring	Carbon Steel
Handle Head	Carbon Steel
Handle Bar	Carbon Steel
Handle Set Screw	Alloy Steel

Valve size"	dl	d	H	DI	L	D	End Flange						ISO pad size	Approx Weight (kgs)
							Bolt size			g	t	f		
							C	No	h					
1/2	13	10	115	165	108	89	60.5	4	16	35	11.2	1.6	F05	1.75
3/4	19	13	115	165	117	98	70.0	4	16	43	11.2	1.6	F05	2.35
1	25	19	120	175	127	108	79.5	4	16	51	11.2	1.6	F05	3
1 1/2	38	25	130	230	165	127	98.5	4	16	73	14.3	1.6	F07	5.5
2	50	38	130	230	178	152	120.5	4	19	92	15.9	1.6	F07	8.75
3	75	63	153	410	203	190	152.5	4	19	127	19.1	1.6	F07	16.4
4	100	75	166	430	229	229	190.5	8	19	157	23.9	1.6	F07	27
6	150	113	243	520	267	279	241.5	8	22	216	25.4	1.6	F12	46
8	200	150	302	580	292	343	298.5	8	22	270	28.6	1.6	F14	82
10	250	200	376	660	330	406	362.0	12	25	324	30.2	1.6	F16	127

Dimensions in millimetres