

CAST STAINLESS STEEL BALL VALVES-CLASS 150

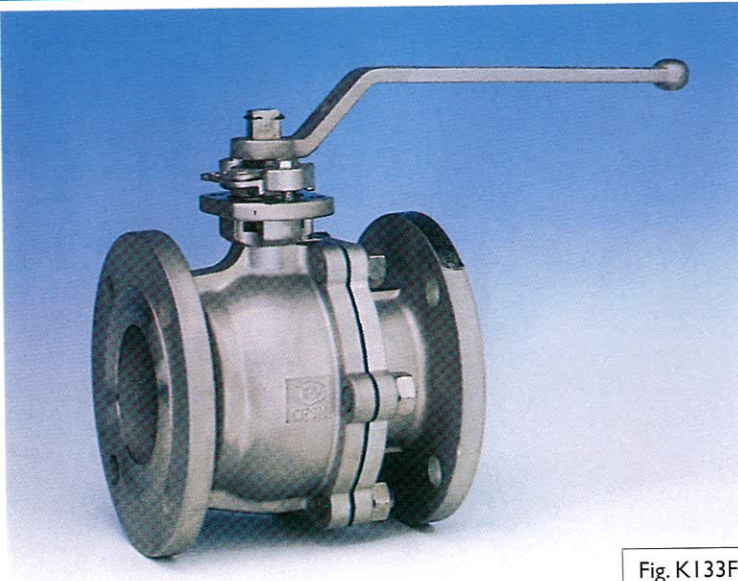
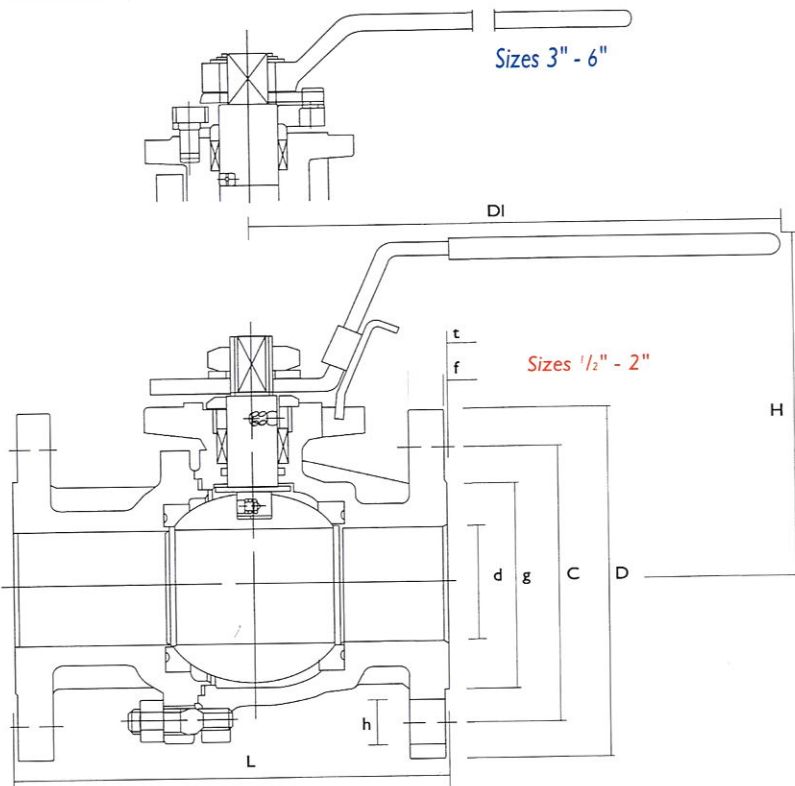


Fig. K133F

- ◆ **Two Piece Body Full Bore**
- ◆ Design to BS 5351. Firesafe.
- ◆ Pressure tested to BS 6755 Pt. 1/API 598
- ◆ Fire tested to BS 6755 Pt. 2/API 6FA
- ◆ RFF to ANSI B16.5
- ◆ End/End to ANSI B16.10
- ◆ Lever operated with Actuator Mounting Pad to ISO 5211
- ◆ Anti-static. Lockable

PART NAME	MATERIAL
Body	A351 Gr.CF8M
Body End	A351 Gr.CF8M
Body Nut	A194 Gr. 8
Body Stud	A193 B. 8
Body Gasket	St. St. / Graphite
Ball	316 Stainless Steel
Seat Rings	PTFE
Stem	316 Stainless Steel
Anti-Static Device	Stainless Steel
Thrust Washer	Reinforced PTFE
Stem Packing	Flexible Graphite
Stem O Ring	PTFE
Gland	Stainless Steel 1/2"-2"
Handlever	Stainless Steel
Locking Device	Stainless Steel
Spring Washer	Stainless Steel
Lever Locknut	Stainless Steel
Handlever	Carbon Steel
Gland	Stainless Steel 3"-6"
Gland Flange	Stainless Steel
Gland Bolt	Stainless Steel
Stopper Plate	Stainless Steel
Snap Ring	Stainless Steel
Handlever	Ductile Iron



Valve size"	d	H	DI	L	End Flange							ISO pad size	Approx Weight (kgs)
					D	C	Drilling						
							No	h	g	t	f		
1/2	15	68	140	108	89	60.5	4	16	35	11.2	1.6	F05	1.7
3/4	20	78	140	117	98	70.0	4	16	43	11.2	1.6	F05	2.1
1	25	90	140	127	108	79.5	4	16	51	11.2	1.6	F05	2.9
1 1/2	40	118	190	165	127	98.5	4	16	73	14.3	1.6	F07	5.8
2	50	130	190	178	152	120.5	4	19	92	15.9	1.6	F07	8.5
3	76	185	315	203	190	152.5	4	19	127	19.1	1.6	F07	18
4	100	205	402	229	229	190.5	8	19	157	23.9	1.6	F07/F10	31
6	150	255	510	394	279	241.5	8	22	216	25.4	1.6	F10	70

Dimensions in millimetres