

CAST CARBON STEEL BALL VALVES-CLASS 300

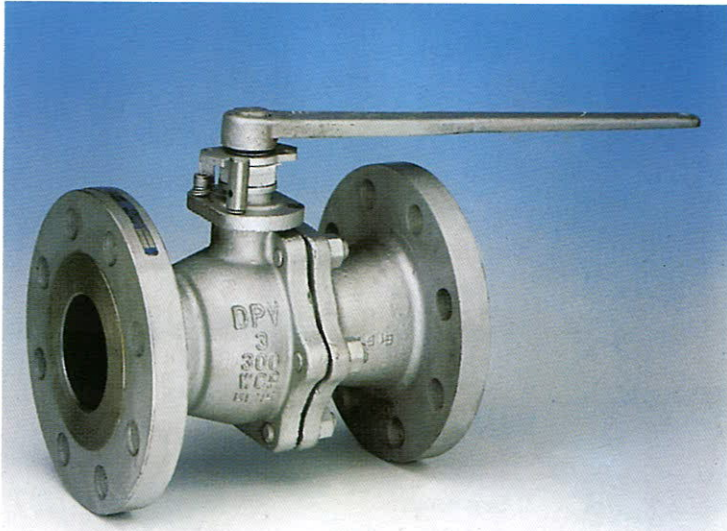
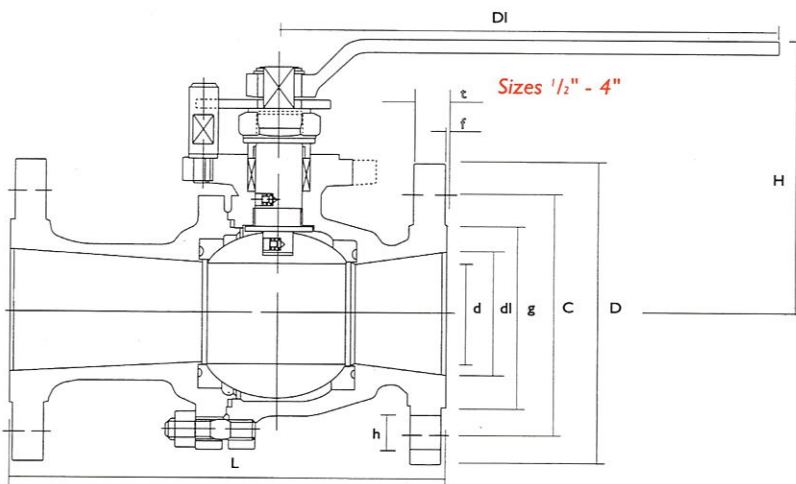
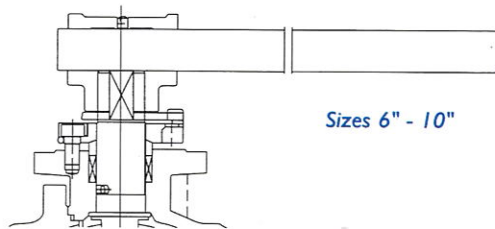


Fig. K323R



- ◆ Two Piece Body Reduced Bore
- ◆ Design to BS 5351. Firesafe.
- ◆ Pressure tested to BS 6755 Pt. 1/API 598
- ◆ Fire tested to BS 6755 Pt. 2/API 6FA
- ◆ RFF to ANSI B16.5
- ◆ End/End to ANSI B16.10
- ◆ Lever operated with Actuator Mounting Pad to ISO 5211
- ◆ Anti-static. Lockable

| PART NAME | MATERIAL |
|--------------------|-------------------------|
| Body | A216 Gr WCB |
| Body End | A216 Gr WCB |
| Body Nut | A194 Gr. 2HM |
| Body Stud | A193 Gr. B7M |
| Body Gasket | Flexible Graphite |
| Ball | 316 Stainless Steel |
| Seat Rings | Reinforced PTFE |
| Stem | 316 Stainless Steel |
| Anti-Static Device | Stainless Steel |
| Thrust Washer | Reinforced PTFE |
| Stem Bearing | Reinforced PTFE |
| Stem Seal/Packing | Flexible Graphite |
| Gland | Stainless Steel 1/2"-4" |
| Spring Washer | Carbon Steel |
| Stopper Pin | Carbon Steel |
| Belleville Spring | Carbon Steel |
| Gland Nut | Carbon Steel |
| Locking Tab | Carbon Steel |
| Stopper Plate | Carbon Steel |
| Snap Ring | Carbon Steel |
| Handle | Carbon Steel |
| Gland Bushing | PTFE 6"-10" |
| Gland | Stainless Steel |
| Gland Bolt | Alloy Steel |
| Stopper Plate | Carbon Steel |
| Snap Ring | Carbon Steel |
| Handle Head | Carbon Steel |
| Handle Bar | Carbon Steel |
| Handle Set Screw | Alloy Steel |

| Valve size" | dl | d | H | DI | L | D | End Flange | | | | | | ISO pad size | Approx Weight (kgs) |
|-------------|-----|-----|-----|-----|-----|-----|------------|----|----|-----|------|-----|--------------|---------------------|
| | | | | | | | Bolt size | | h | g | t | f | | |
| | | | | | | | C | No | | | | | | |
| 1/2 | 13 | 10 | 115 | 165 | 140 | 95 | 66.5 | 4 | 16 | 35 | 14.3 | 1.6 | F05 | 2 |
| 3/4 | 19 | 13 | 115 | 165 | 152 | 117 | 82.5 | 4 | 19 | 43 | 15.9 | 1.6 | F05 | 3 |
| 1 | 25 | 19 | 120 | 175 | 165 | 124 | 89.0 | 4 | 19 | 51 | 17.5 | 1.6 | F05 | 4.75 |
| 1 1/2 | 38 | 25 | 130 | 230 | 190 | 156 | 114.5 | 4 | 22 | 73 | 20.7 | 1.6 | F07 | 8.5 |
| 2 | 50 | 38 | 130 | 230 | 216 | 165 | 127 | 8 | 19 | 92 | 22.3 | 1.6 | F07 | 11.5 |
| 3 | 75 | 63 | 153 | 425 | 283 | 210 | 168 | 8 | 22 | 127 | 28.6 | 1.6 | F07 | 24 |
| 4 | 100 | 75 | 166 | 430 | 305 | 254 | 200.0 | 8 | 22 | 157 | 31.8 | 1.6 | F07 | 39 |
| 6 | 150 | 113 | 260 | 650 | 403 | 318 | 270.0 | 12 | 22 | 216 | 36.6 | 1.6 | F12 | 72 |
| 8 | 200 | 150 | 301 | 825 | 419 | 381 | 330.0 | 12 | 25 | 270 | 41.3 | 1.6 | F14 | 133 |
| 10 | 250 | 200 | 305 | 900 | 457 | 444 | 387.5 | 16 | 29 | 324 | 47.7 | 1.6 | F16 | 199 |

Dimensions in millimetres

