

# FULL PORT BALL VALVE - ANSI CL. 150

## DESCRIPTION:

2-Piece Split Body • Floating Ball  
End Entry • R.F. Flanged Ends

## DESIGN: Per API 6D

Tests per API 598 standards  
Flanged Dimensions per ANSI B16.5  
Face-to-Face Dimensions per ANSI B16.10

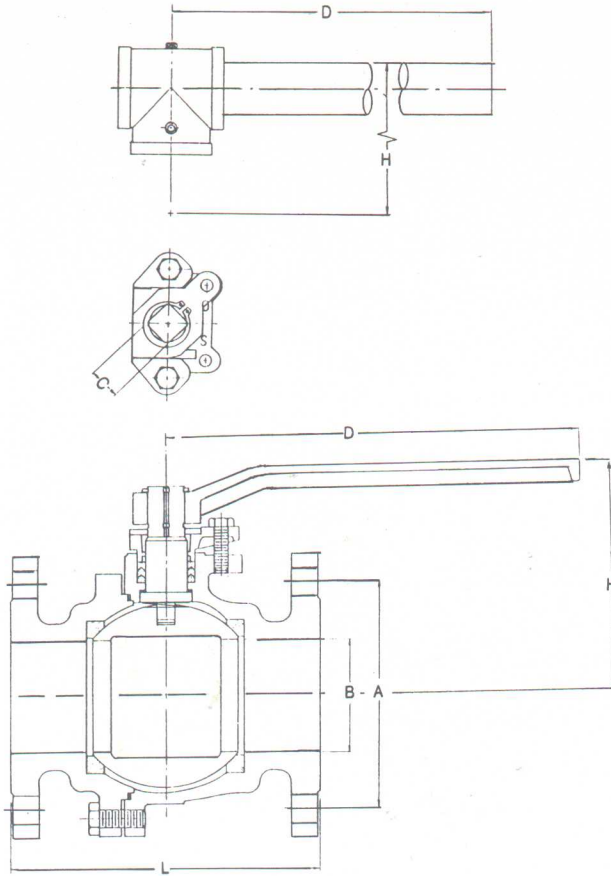
## STANDARD FEATURES:

Blow-Out Proof Stem • Fire Safe Design  
Virgin Grade Sealing & Packing Materials  
Manual Operators:

- Cast Handles for Sizes 1/2" to 3"
- Cast Pipe Operator Head for Sizes and Larger

## OPTIONAL ITEMS:

Bleeding plug • Stem Packing Injection Nozzle  
Locking Device • Pre-Shrunk Packings  
Electric & Pneumatic Operators



ANSI 150 LBS DIMENSIONS - UNIT: MM							WEIGHT	
SIZE	L	H	D	A	B	C	KGS	LBS
1/2"	108	72	116	60.5	15	10	1.9	4.18
3/4"	117	75	116	70.0	20	10	2.3	5.06
1"	127	93	130	79.5	25	12	3.5	7.70
1-1/4"	140	105	130	89.0	32	12	6.3	13.86
1-1/2"	165	115	218	98.5	40	17	7.0	15.40
2"	178	120	218	120.5	50	17	9.0	19.80
2-1/2"	190	135	295	139.5	65	21	16.5	36.30
3"	203	145	295	152.5	76	21	20.0	44.00
4"	229	200	400	190.5	100	27	33.4	73.48
5"	356	220	550	216.0	125	27	47.0	103.40
6"	394	240	550	241.5	150	27	67.5	148.50
8"	457	300	1000	298.5	200	35	115.0	253.00
10"	533	355	1000	362.0	250	35	21.30	468.60

NO.	PART	MATERIALS	
		STAINLESS STEEL Fig. J133F	CARBON STEEL Fig. J123F
1	BODY	A351-Gr-CF8M	A216-WCB
2	END CAP	A351-Gr-CF8M	A216-WCB
3	BALL	A351-Gr-CF8M	304 SS
4	SEAT RING	REINF. PTFE	REINF. PTFE
5	ANTI-STATIC DEVICE	304 SS	304 SS
6	JOINT GASKET	PTFE	PTFE
7	THRUST WASHER	PTFE	PTFE
8	BOLT	304 SS	CARBON STEEL
9	STEM PACKING	TEFLON	TEFLON
10	STEM	316 SS	304 SS
11	GLAND	304 SS	304 SS
12	TRAVEL STOP	304 SS	304 SS
13	SNAP CATCH SPRING	304 SS	304 SS
14	GLAND BOLT	304 SS	304 SS
15	HANDLE	DUCTILE IRON	DUCTILE IRON

All above specifications are for informatory purpose only, and are subject to changes without prior notice.