

# FULL PORT BALL VALVE - ANSI CL. 300

## DESCRIPTION:

2-Piece Split Body • Floating Ball  
End Entry • R.F. Flanged Ends

## DESIGN: Per API 6D

Tests per API 598 standards  
Flanged Dimensions per ANSI B16.5  
Face-to-Face Dimensions per ANSI B16.10

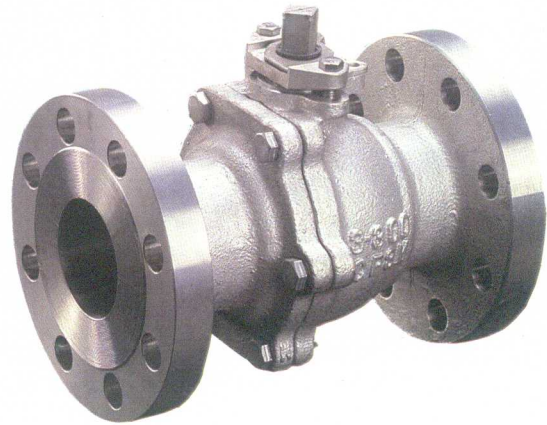
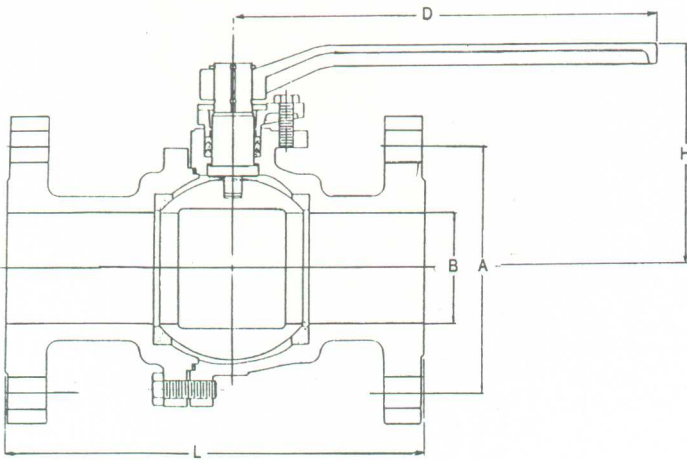
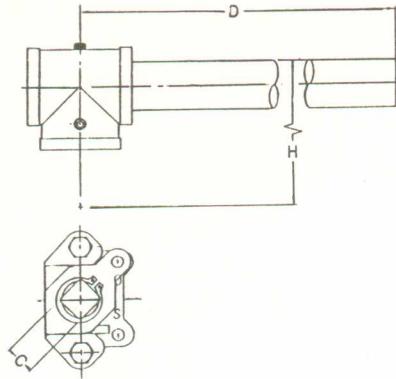
## STANDARD FEATURES:

Blow-Out Proof Stem • Fire Safe Design  
Virgin Grade Sealing & Packing Materials  
Manual Operators:

- Cast Handles for Sizes 1/2" to 3"
- Cast Pipe Operator Head for Sizes and Larger

## OPTIONAL ITEMS:

Bleeding plug • Stem Packing Injection Nozzle  
Locking Device • Pre-Shrunk Packings  
Electric & Pneumatic Operators



ANSI 300 LBS DIMENSIONS - UNIT: MM							WEIGHT	
SIZE	L	H	D	A	B	C	KGS	LBS
1/2"	140	72	115	66.5	15	10	2.3	5.06
3/4"	152	75	115	82.5	20	10	3.5	7.70
1"	165	93	130	89.0	25	12	5.0	11.00
1-1/4"	178	105	130	98.5	32	12	-	-
1-1/2"	190	115	218	114.5	40	17	11.0	24.20
2"	216	120	218	127.0	50	17	13.0	28.60
2-1/2"	241	135	295	149.0	65	21	22.5	49.50
3"	283	145	295	168.0	76	21	27.0	59.40
4"	305	200	400	200.0	100	27	41.0	90.20
5"	381	220	550	235.0	125	27	61.0	134.20
6"	403	240	550	270.0	150	27	80.0	176.00
8"	502	300	1000	330.0	200	35	150.0	330.00
10"	568	355	1000	387.5	250	35	260.0	572.00

NO.	PART	MATERIALS	
		STAINLESS STEEL Fig. J333F	CARBON STEEL Fig. J323F
1	BODY	A351-Gr-CF8M	A216-WCB
2	END CAP	A351-Gr-CF8M	A216-WCB
3	BALL	A351-Gr-CF8M	304 SS
4	SEAT RING	REINF. PTFE	REINF. PTFE
5	ANTI-STATIC DEVICE	304 SS	304 SS
6	JOINT GASKET	PTFE	PTFE
7	THRUST WASHER	PTFE	PTFE
8	BOLT	304 SS	CARBON STEEL
9	STEM PACKING	TEFLON	TEFLON
10	STEM	316 SS	304 SS
11	GLAND	304 SS	304 SS
12	TRAVEL STOP	304 SS	304 SS
13	SNAP CATCH SPRING	304 SS	304 SS
14	GLAND BOLT	304 SS	304 SS
15	HANDLE	DUCTILE IRON	DUCTILE IRON

All above specifications are for informatory purpose only, and are subject to changes without prior notice.